

- B-21, Bhan Nagar, Queens Road, Jaipur-302021
- Website: www.aumshivay.com, www.omengineering.in
- E-mail: admin@aumshivay.com

SPANNERS



SPANNER; We deals with Taparia make Drop Forged Spanners are comes in Double End Spanners, Single End Spanners, Ring Spanners, Slugging Open Ended Spanners and Slugging Ring Spanners. Spanner is a tool that provides a grip for tightening or loosening a fastener, such as a nut or bolt.

DOUBLE END SPANNER (CHROME PLATED)					
PROD. NO.	DIMENSIONS (MM)				
	D1	D2	T	L	WT. GMS
DEP- 6 x 7	14	16	3	95	10
DEP- 8 x 9	17.5	19	3.5	100	20
DEP- 08 x 10	17	21.5	4	115	28
DEP- 09 x 11	21.5	24	5	120	38
DEP- 10 x 11	22	23	4	110	30
DEP- 10 x 12	25.5	27	5.5	130	38
DEP- 12 x 13	25.5	27.5	5	125	40
DEP- 13 x 16	27	33	6	170	75
DEP- 14 x 15	29	31	5.5	145	60
DEP- 14 x 17	30	35	6	170	75
DEP- 16 x 17	33	36	5.5	160	75
DEP- 18 x 19	37.5	40	6.5	180	115
DEP- 18 x 21	37	42	7	180	120
DEP- 19 x 22	40	45	7.5	200	150
DEP- 20 x 22	40	43.5	7	200	140
DEP- 21 x 23	41	45	7	210	155
DEP- 24 x 26	-	-	-	-	-
DEP- 24 x 27	48.5	53.5	7.5	225	215
DEP- 25 x 28	49	54.5	8	225	235
DEP- 30 x 32	58	62.5	8.5	250	320

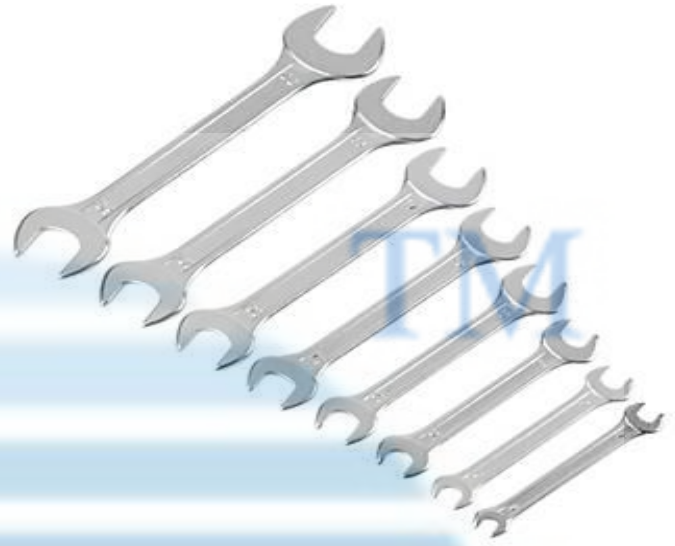
Made from high grade steel, forged and accurately machined.
Hardened and tempered to give long trouble free service. Provide with appropriate surface protection for rust prevention.



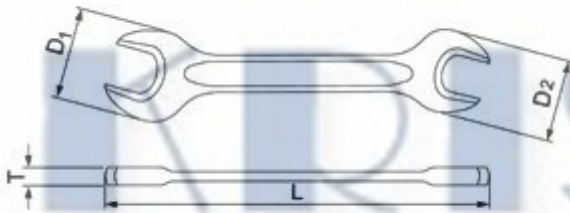
- B-21, Bhan Nagar, Queens Road, Jaipur-302021
- Website: www.aumshivay.com, www.omengineering.in
- E-mail: admin@aumshivay.com

DOUBLE END SPANNER SET

PROD. NO.	CONTENTS
DEP 06	6x7, 8x9, 10x11, 12x13, 14x15, 16x17
DEP 08	6x7, 8x9, 10x11, 12x13, 14x15, 16x17, 18x19, 20x22
DEP 10	6x7, 8x9, 10x11, 12x13, 14x15, 16x17, 18x19, 20x22, 21x23, 24x27
DEP 12	6x7, 8x9, 10x11, 12x13, 14x15, 16x17, 18x19, 20x22, 21x23, 24x27, 25x28, 30x32
DEP 010	6x7, 8x9, 10x11, 12x13, 14x15, 16x17, 18x19, 20x22, 24x27, 30x32
DEPW 05	3/16 x 1/4, 5/16 x 3/8, 7/16 x 9/16, 14 x 17, 19 x 22
DW 06	1/8 x 3/16, 3/16 x 1/4, 1/4 x 5/16, 5/16 x 3/8, 3/8 x 7/16, 7/16 x 1/2
DW 09	1/8 x 3/16, 3/16 x 1/4, 1/4 x 5/16, 5/16 x 3/8, 3/8 x 7/16, 7/16 x 1/2, 1/2 x 9/16, 9/16 x 5/8, 5/8 x 3/4



DOUBLE ENDED SPANNERS (RIBBED)

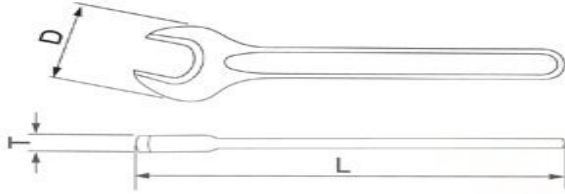


PROD. NO.	DIMENSIONS (MM)				
	D1	D2	T	L	WT. GMS
DER- 32 x 36	66	73	11.5	300	525
DER- 36 x 41	-	-	-	-	-
DER- 41 x 46	83	94	13	375	870
DER- 46 x 50	-	-	-	-	-
DER- 50 x 55	-	-	-	-	-

Drop forged from suitable grade steel. Heat treated with hardness 42 - 48 HRC to give maximum strength and wear resistance. Head at each end are of different sizes and set at an angle of 15 Deg. Good accessibility in confined spaces due to slim and practical design.

- B-21, Bhan Nagar, Queens Road, Jaipur-302021
- Website: www.aumshivay.com, www.omengineering.in
- E-mail: admin@aumshivay.com

SINGLE ENDED OPEN JAW SPANNERS



PROD. NO	DIMENSIONS				
	S	D	T	L	WT. GMS
SER 24	24	50	8	210	145
SER 30	30	62	10	260	290
SER 32	32	65	10	275	290
SER 36	36	72	11	300	400
SER 38	38	77	11.5	300	425
SER 41	41	83	12.5	340	425
SER 46	46	91	13	375	520
SER 50	50	101	15	400	920
SER 55	55	111	15	440	1150
SER 60	60	122	16	475	1375
SER 65	65	132	16	515	1640
SER 70	70	140	17	555	2000
SER 75	75	151	18	585	2220

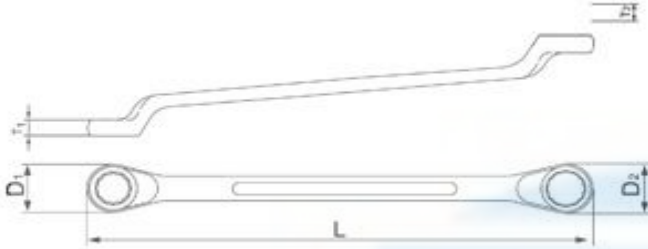
RING SPANNERS



PROD. NO.	DIMENSIONS (MM)					WT. GMS
	D1	D2	T1	T2	L	
18 - 6 x 7	11	12.5	5	6	180	40
18 - 8 x 9	14	16.5	6	7	190	50
18 - 10 x 11	17	18	7	8	200	75
18 - 12 x 13	19	21	8	8.5	215	95
18 - 14 x 15	22	24	8.5	10	230	105
18 - 16 x 17	25	26.5	10	10.5	245	160
18 - 18 x 19	28	29	11	11	260	210
18 - 20 x 22	31	33	12	13	290	270
18 - 21 x 23	31.5	34	13	13.5	310	290
18 - 24 x 27	37	41	13	14	340	390
18 - 25 x 28	38	41.5	15	16.5	355	495
18 - 30 x 32	44	47	17.5	18.5	380	570

- B-21, Bhan Nagar, Queens Road, Jaipur-302021
- Website: www.aumshivay.com, www.omengineering.in
- E-mail: admin@aumshivay.com

RING SPANNER SETS



PROD. NO.	CONTENTS
1806	6x7, 8x9, 10x11, 12x13, 14x15, 16x17
1808	6x7, 8x9, 10x11, 12x13, 14x15, 16x17, 18x19, 20x22
1810	6x7, 8x9, 10x11, 12x13, 14x15, 16x17, 18x19, 20x22, 21x23, 24x27
18010	6x7, 8x9, 10x11, 12x13, 14x15, 16x17, 18x19, 20x22, 21x23, 24x27, 30x32
1812	6x7, 8x9, 10x11, 12x13, 14x15, 16x17, 18x19, 20x22, 21x23, 24x27, 25x28, 30x32
RW 06	1/8 x 3/16, 3/16 x 1/4, 1/4 x 5/16, 5/16 x 3/8, 3/8 x 7/16, 7/16 x 1/2
RW 09	1/8 x 3/16, 3/16 x 1/4, 1/4 x 5/16, 5/16 x 3/8, 3/8 x 7/16, 7/16 x 1/2, 1/2 x 9/16, 9/16 x 5/8, 5/8 x 3/4

SLUGGING OPEN ENDED SPANNERS

PROD. NO.	SIZES (MM)
SSO 27	27
SSO 30	30
SSO 32	32
SSO 34	34
SSO 36	36
SSO 38	38
SSO 41	41
SSO 46	46
SSO 50	50
SSO 55	55
SSO 60	60
SSO 65	65
SSO 70	70
SSO 75	75



- B-21, Bhan Nagar, Queens Road, Jaipur-302021
- Website: www.aumshivay.com, www.omengineering.in
- E-mail: admin@aumshivay.com

SLUGGING RING SPANNERS

PROD. NO.	SIZES (MM)
SSO 27	27
SSO 30	30
SSO 32	32
SSO 34	34
SSO 36	36
SSO 38	38
SSO 41	41
SSO 46	46
SSO 50	50
SSO 55	55
SSO 60	60
SSO 65	65
SSO 70	70
SSO 75	75
SSO 80	80
SSO 85	85



TM

KRISTAN

- B-21, Bhan Nagar, Queens Road, Jaipur-302021
- Website: www.aumshivay.com, www.omengineering.in
- E-mail: admin@aumshivay.com

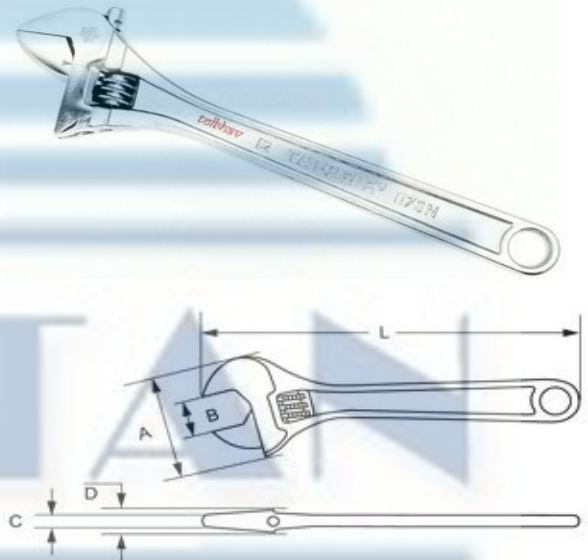
ADJUSTABLE SPANNERS



Adjustable Spanners; We deals with all type of Adjustable Spanners are available in Chrome Finish, phosphate finish and Spanners with Soft Grip. These Adjustable Spanners are forged with high grade steel, and heat treated to give long trouble free service.

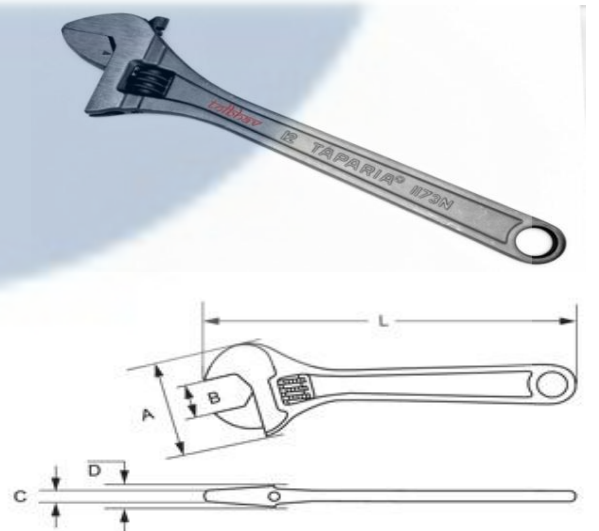
A. ADJUSTABLE SPANNERS CHROME FINISH

Product No.	Dimensions					
	A	B	C	D	L	Wt. Gms.
1169-4	33	13	4	8.2	110	50
1170-6/1170N-6	46	19	6	11.2	155	125
1171-8/1171N-8	59	26	7	13.65	205	230
1172-10/1172N-10	70	30	9	16.55	255	390
1173-12/1173N-12	79	35	10	18.4	305	590
1174-15	97	43	12.5	21	380	960
1175-18	120	57	14	25	450	1880
1176-24	138	64	15	28	608	2980
1177-30	180	90	19	34	780	5920



B. ADJUSTABLE SPANNERS PHOSPHATE FINISH

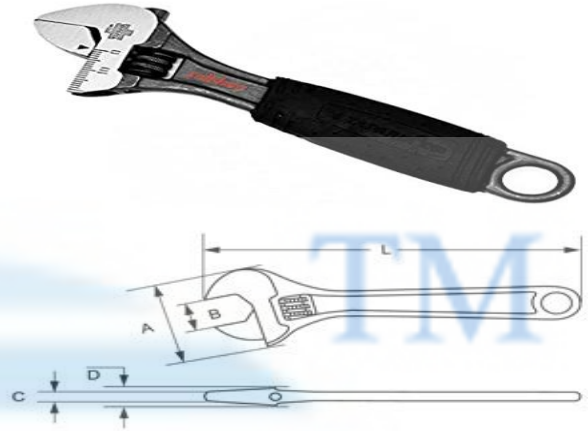
Product No.	Dimensions					
	A	B	C	D	L	Wt. Gms.
1169-4	33	13	4	8.2	110	50
1170-6/1170N-6	46	19	6	11.2	155	125
1171-8/1171N-8	59	26	7	13.65	205	230
1172-10/1172N-10	70	30	9	16.55	255	390
1173-12/1173N-12	79	35	10	18.4	305	590
1174-15	97	43	12.5	21	380	960
1175-18	120	57	14	25	450	1880
1176-24	138	64	15	28	608	2980
1177-30	180	90	19	34	780	5920



- B-21, Bhan Nagar, Queens Road, Jaipur-302021
- Website: www.aumshivay.com, www.omengineering.in
- E-mail: admin@aumshivay.com

C. ADJUSTABLE SPANNERS (WITH SOFT GRIP)

Product No.	A	B	C	D	L	Wt. Gms.
1169	33	13	4	8.2	110	55
1170	46	19	6	11.2	155	145
1171	59	26	7	13.65	205	260
1172	70	30	9	16.55	255	430
1173	79	35	10	18.4	305	635
1174	97	43	12.5	21	380	1025



Features:

- Forged with high grade steel, and heat treated to give long trouble free service.
- Left hand thumb screw movement as standard. Right hand thumb screw movement available on request.
- Precision marked scale indicate correct jaw opening.
- Available in bright polished Nicel Chrome finish and Black Phosphate finish. Also available with soft grip to provide comfortable gripping in use.

KRISTAN

- B-21, Bhan Nagar, Queens Road, Jaipur-302021
- Website: www.aumshivay.com, www.omengineering.in
- E-mail: admin@aumshivay.com

WHEEL SPANNER



WHEEL SPANNER; We deals with Taparia Make Wheel Spanners which are forged from high grade manganese steel. Scientifically heat treated to give maximum strength, wear resistance and long life. These Spanners are available with bright finish in Nickle Chrome and black phosphate finish for protection from corrosion. These Wheel Spanners are used to used to loosen and tighten lug nuts on automobile wheels. These are generally available in Straight (I) Shaped, L-shaped, or X-shaped. The form commonly found in car trunks is an L-shaped metal rod with a socket wrench on the bent end and a prying tip on the other end.

BOX SPANNER	
PRODUCT NO.	SIZES (MM)
1720/HD 1720	30 x 32
HD1725	27 x 30
1728	24 x 27
HD 1730	27 x 33
1731	27 x 27
HD 3030	30 x 30
1740	32 x 32
CHD 1740	32 x 32
HD 3233	32 x 33
1741	33 x 33
CHD 1741	33 x 33
1750	Tommy Bar
1751	Tommy Bar



L-SPANNERS	
PRODUCT NO.	SIZES (MM)
1535	18A/F
1536S	19A/F
1536	19A/F
1537	21A/F



- B-21, Bhan Nagar, Queens Road, Jaipur-302021
- Website: www.aumshivay.com, www.omengineering.in
- E-mail: admin@aumshivay.com

CROSS RIM WRENCH

PRODUCT NO.	SIZES (MM)
CW0314	10 x 13, 11 x 14
CW7981	17 x 19, 18 x 21



TUBULAR BOX SPANNERS

PRODUCT NO.	SIZES (MM)
TS 6 x 7	6 x 7
TS 8 x 9	6 x 7
TS 10 x 11	6 x 7
TS 12 x 13	12 x 13
TS 14 x 15	14 x 15
TS 16 x 17	16 x 17
TS 18 x 19	18 x 19
TS 20 x 22	20 x 22
TS 21 x 23	21 x 23
TS 24 x 27	24 x 27
TS 25 x 28	25 x 28
TS 30 x 32	30 x 32

