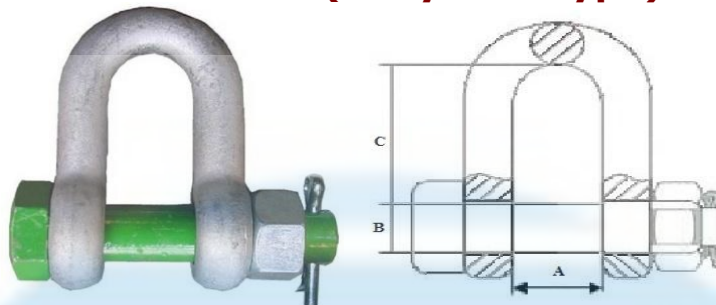




- B-21, Bhan Nagar, Queens Road, Jaipur-302021
- Website: www.aumshivay.com, www.omengineering.in
- E-mail: admin@aumshivay.com

D-Shackles (Alloy Bolt Type)



Product	Description	Technical Detail				
		Nominal Shackle Size	Working Load Limit	Dimensions (Inch)		
Alloy Bolt Type D-Shackle	Alloy Bolt type D-Shackles have a head Anchor bolt and an alloy type nut with cotter pin. Bolt type shackles can be used in any application that uses a round pin or a screw pin. These types of shackles remain secure even when the shackle is subjected to rotation or torque.	(Inch)	(Ton)	A	B	C
		3/16	1/3	0.38	0.25	0.88
		1/4	1/2	0.47	0.31	1.13
		5/16	3/4	0.53	0.38	1.22
		3/8	1	0.66	0.44	1.44
		7/16	1.1/2	0.75	0.5	1.69
		1/2	2	0.81	0.63	1.88
		5/8	3.1/4	1.06	0.75	2.38
		3/4	4.3/4	1.25	0.88	2.81
		7/8	6.1/2	1.44	1	3.31
		1	8.1/2	1.69	1.13	3.75
		1.1/8	9.1/2	1.81	1.25	4.25
		1.1/4	12	2.03	1.38	4.69
		1.3/8	13.1/2	2.25	1.5	5.25
		1.1/2	17	2.38	1.63	5.75
		1.3/4	25	2.88	2.00	7
		2	35	3.25	2.25	7.75
2.1/2	55	4.13	2.75	10.5		
3	85	5.00	3.25	13		
3.1/2	120	5.25	3.75	14.63		
4	150	5.50	4.25	14.5		

Features:

- WLL Capacity - 1/3 Ton to 150 Ton.
- Working Load Limit permanently.
- Forged - Quenched and Tempered, with alloy pins.
- Maximum Proof Load is 2 times the Working Load Limit. Breaking Load is 6 times the Working Load Limit.
- Furnished with Round Head Bolts and Cotter Pin.
- Shackles can finished be proof tested with certificates, Charges for proof testing & certification available when requested at the time of order.

Applications:

- Alloy Bolt type shackles are practical in many rigging applications where the anchor bolt is expected to experience some rotation. The tightening nut and the cotter pin eliminate the need to tighten the pin prior to every lift or movement of a load, so bolt type shackles are excellent choices for semi-permanent or long-term installations, or where the load may slide on the shackle pin causing it to rotate.

