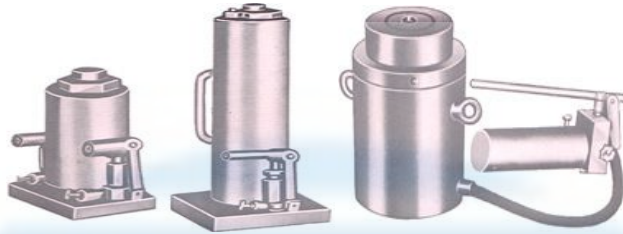




AUMSHIVAY ENGINEERING PRIVATE LIMITED

- B-21, Bhan Nagar, Queens Road, Jaipur-302021
- Website: www.aumshivay.com, www.omengineering.in
- E-mail: admin@aumshivay.com

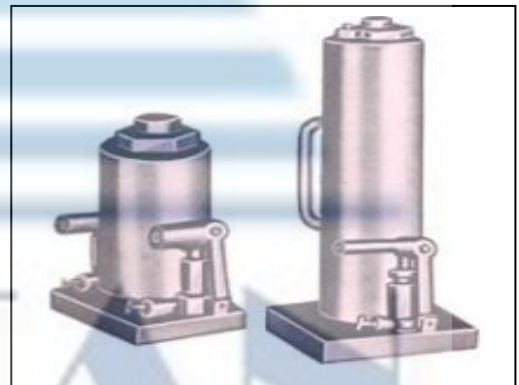
Hydraulic Jack



A. HMC Hydraulic Jacks with Integral Pump;

"HMC" General Purpose Bottle Type Hydraulic Jacks with internal Pump are Steel Welded construction 25% overload tested Hydraulic Jacks with with integral pump having 150 mm Hydraulic lift available in two types (1) Plain Ram (2) Screw Ram with Safety Lock Nut.

Capacity (in Tons)	Min Ht. (mm)	Hyd. Lift. (mm)	Screw Extn.	Max. Ht. (mm)	Ram Dia. (mm)	Base Size (mm)	Weight (in Kgs)
2	199 (216)	120	75(-)	394 (336)	36	125x 125	6
5	231 (248)	150	100(-)	481 (398)	36	125x 125	8
8	236 (248)	150	100(-)	486 (402)	43	150x 140	10
10	236 (252)	150	100(-)	486 (402)	46	150x 150	11
12	236 (252)	150	100(-)	486 (402)	52	150x 150	12
15	250 (260)	150	100(-)	500 (410)	58	170x 170	16.5
20	250 (260)	150	100(-)	500 (410)	65	180x 180	22
25	270 (285)	150	100(-)	520 (435)	70	190x 190	26
30	270 (285)	150	100(-)	520 (435)	76	200x 200	29
40	287 (307)	150	100(-)	537 (457)	90	225x 250	36
50	275 (325)	150	x	425 (475)	100	240 x300	56
75	275 (325)	150	x	425 (475)	110	255x315	75
100	300 (360)	150	x	450 (510)	127	280x330	90



B. HMC Hydraulic Jack with Remote Pump;

"HMC" Hydraulic Jacks Standard Series with Remote Control Plain Ram/ Screwed Ram with Safety Lock Nut available in 5 to 100 Ton Capacity.

Capacity (in Tons)	Closed Ht. (mm)	Hyd. Lift (mm)	Extd. Ht. (mm)	Body Dia (mm)	Ram Dia. (mm)	Working Pressure (Kg/cm ²)	Ram Re-traction Wt. (Spring)
5	230 (255)	150	380 (405)	63	46	18.1	6 (6.5)
10	240 (261)	150	390 (411)	80	50	22.9	12 (13)
15	270 (300)	150	420 (450)	100	67	41.8	15 (16)
20	275 (305)	150	420 (450)	110	73	50.2	18 (20)
25	280 (310)	150	430 (460)	115	76	56.7	22 (24)
30	285 (315)	150	435 (465)	127	90	75.4	26 (29)
40	300 (350)	150	450 (500)	145	100	86.6	35 (37)
50	315 (365)	150	465 (515)	158	115	122.6	46 (48)
75	315 (365)	150	465 (515)	195	125	176.8	72 (74)
100	320 (385)	150	470 (535)	235	125	240.6	95 (98)

